



For Australian Consumer Care: 1.800.811.183
Monday - Friday 9 am - 5 pm

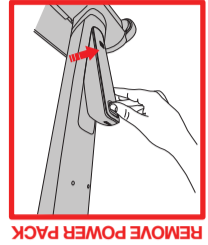
For New Zealand Consumer Care: 0.800.247.735
Monday - Friday 9 am - 5 pm

Any Problems?

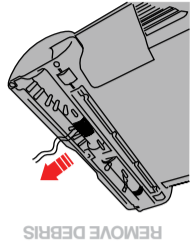
-Brush Bar Jam

Product stop during use?

SOLID LED'S =

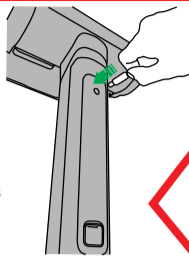


REMOVE POWER PACK

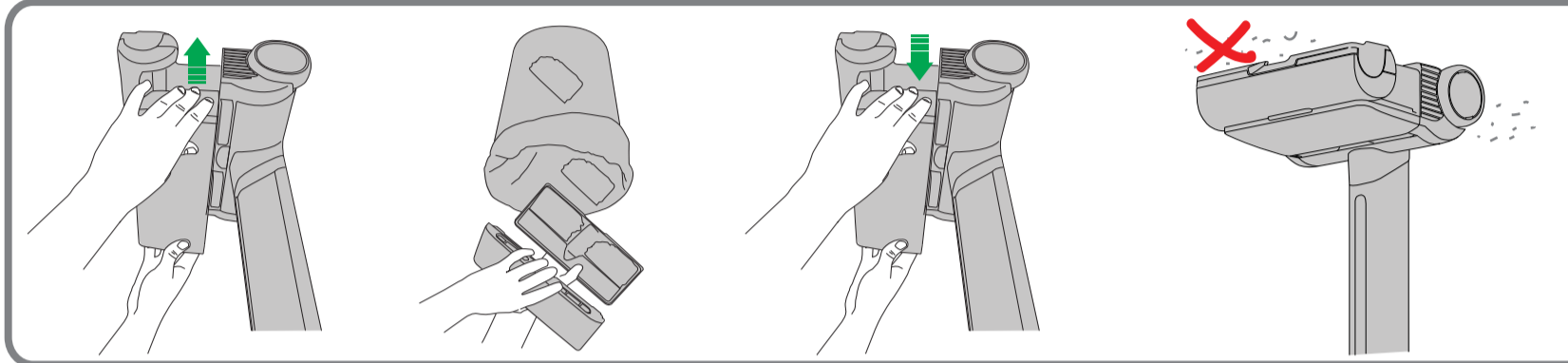


REMOVE DEBRIS

DEPLETING LED =

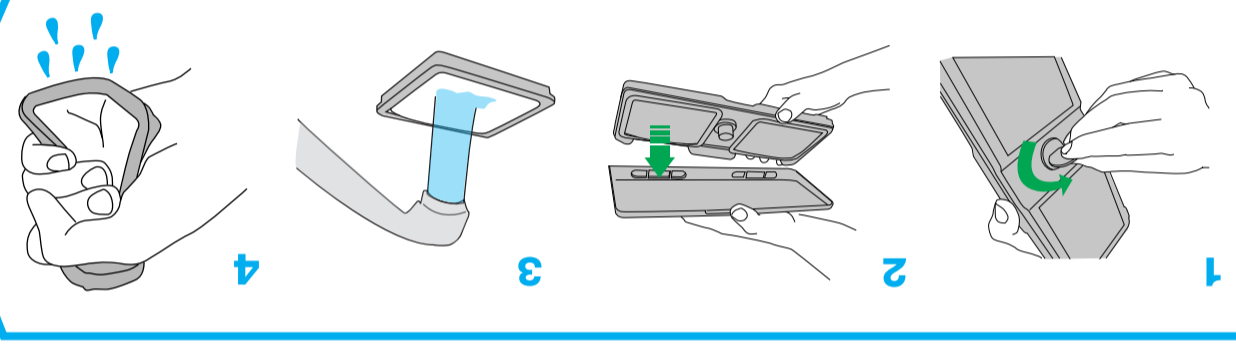


Not picking up? Empty the Bin.



1 Month

wash the filters, clear the brush bar with scissors every month.



24
Dry for
Hours



OPERATING MANUAL

Model number: 1047F

CONSUMER GUARANTEE - TERMS AND CONDITIONS

LIMITED 2 YEAR GUARANTEE
TERMS AND CONDITIONS OF THE BISSELL AirRAM™
2 YEAR GUARANTEE

WHAT IS NOT COVERED

This Guarantee only applies outside of the USA and Canada. It is provided by BISSELL International Trading Company BV ("BISSELL").

This Guarantee is provided by BISSELL. It gives you specific rights. It is offered as an additional benefit to your rights under law. You also have other rights under law which may vary from country to country. You can find out about your legal rights and remedies by contacting your local consumer advice service. Nothing in this Guarantee will replace or lessen any of your legal rights or remedies. If you need additional instruction regarding this Guarantee or have questions regarding what it may cover, please contact BISSELL Consumer Care or contact your local distributor.

This Guarantee is given to the original purchaser of the product from new and is not transferable. You must be able to evidence the date of purchase in order to claim under this Guarantee.

LIMITED TWO-YEAR GUARANTEE

Subject to the "EXCEPTIONS AND EXCLUSIONS" identified below, BISSELL will for two years from the date of purchase by the original purchaser repair or replace (with new or remanufactured components or products), at BISSELL's option, free of charge, any defective or malfunctioning part or product.

BISSELL recommends that the original packaging and evidence of the date of purchase be kept for the duration of the Guarantee period in case the need arises within the period to claim on the Guarantee. Keeping the original packaging will assist with any necessary re-packaging and transportation but is not a condition of the Guarantee.

If for your product is replaced by BISSELL under this Guarantee, the new item will benefit from the remainder of the term of this Guarantee (calculated from the date of the original purchase). The period of this Guarantee shall not be extended whether or not your product is repaired or replaced.

***EXCEPTIONS AND EXCLUSIONS FROM THE TERMS OF THE GUARANTEE**

This Guarantee applies to products used for personal domestic use and not commercial or hire purposes. Consumable components such as filters, belts and mop pads, which must be replaced or serviced by the user from time to time, are not covered by this Guarantee.

This Guarantee does not apply to any defect arising from fair wear and tear. Damage or malfunction caused by the user or any third party whether as a result of accident, negligence, abuse, neglect, or any other use not in accordance with the User Guide is not covered by this Guarantee.

An unauthorised repair (or attempted repair) will void this Guarantee whether or not damage has been caused by that repair/attempt.

Removing or tampering with the Product Rating Label on the product or rendering it illegible will void this Guarantee.

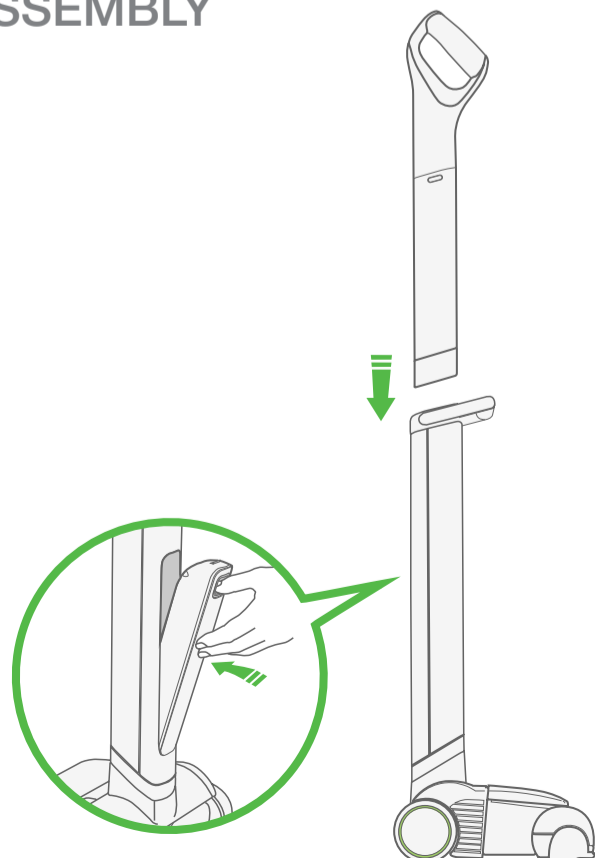
SAVE AS SET OUT BELOW BISSELL AND ITS DISTRIBUTORS ARE NOT LIABLE FOR ANY LOSS OR DAMAGE THAT IS NOT FORESEEABLE OR FOR INCIDENTAL OR CONSEQUENTIAL DAMAGES OF ANY NATURE ASSOCIATED WITH THE USE OF THIS PRODUCT INCLUDING WITHOUT LIMITATION LOSS OF PROFIT, LOSS OF BUSINESS, BUSINESS INTERRUPTION, LOSS OF OPPORTUNITY, DISTRESS, INCONVENIENCE OR DISAPPOINTMENT. SAVE AS SET OUT BELOW BISSELL'S LIABILITY WILL NOT EXCEED THE PURCHASE PRICE OF THE PRODUCT.

BISSELL does not exclude or limit in any way its liability for (a) death or personal injury caused by our negligence or the negligence of our employees, agents or subcontractors; (b) fraud or fraudulent misrepresentation; (c) or for any other matter which cannot be excluded or limited under law.

FOR AUSTRALIAN CONSUMERS ONLY: Our goods come with guarantees that cannot be excluded under the Australian Consumer Law. You are entitled to a replacement or refund for a major failure and for compensation for any other reasonably foreseeable loss or damage. You are also entitled to have the goods repaired or replaced if the goods fail to be of acceptable quality and the failure does not amount to a major failure.

This warranty is in addition to other rights or remedies under law. Nothing in this warranty excludes, limits or modifies any liability of BISSELL which is imposed by law, or limits or modifies any remedy available to the consumer which is granted by law. To make a claim under this warranty contact BISSELL Australia PTY LTD (details above). Contact bissell prior to returning any goods. Where agreed, BISSELL will reimburse reasonable postage / handling costs (if any) for returning goods to BISSELL.

ASSEMBLY



For Australian Consumer Care: 1.800.811.183
Monday - Friday 9 am - 5 pm

For New Zealand Consumer Care: 0.800.247.735
Monday - Friday 9 am - 5 pm



Important Safeguards



IMPORTANT:

READ ALL INSTRUCTIONS BEFORE USE.

RETAIN INSTRUCTIONS FOR FUTURE REFERENCE.



Do not use in rain or leave outdoors whilst raining.

WARNING: When using an electrical appliance basic safety precautions should always be observed, including the following to reduce the risk of fire; electrical shock, or injury:

This appliance can be used by children aged from 8 years and above and persons with reduced physical, sensory or mental capabilities or lack of experience and knowledge if they have been given supervision or instruction concerning use of the appliance in a safe way and understand the hazards involved. Children shall not play with the appliance. Cleaning and user maintenance shall not be made by children without supervision.

Personal Safety:

- The intended use is described in this manual. The use of any accessory or attachment or the performance of any operation with this appliance other than those recommended in this instruction manual may present a risk of personal injury.
- Not to be used as a toy; pay close attention when used by or near children.
- Children must be supervised to ensure they do not play with the appliance.
- Store indoors in a dry place.
- Store out of reach of children.
- Use extra care when cleaning on stairs.
- Use only with the manufacturers recommended attachments.
- Do not use without the debris bin and filter fitted in place.
- Keep the product and all accessories away from hot surfaces.
- Do not use with any opening blocked; keep openings free of dust, lint, hair and do not put any objects into openings that may hinder dirt flow
- Keep hair, clothing, fingers and all parts of body away from openings and moving parts.

Electrical safety:

- Never modify the charger in any way.
- Do not use non-rechargeable batteries.
- The charger has been designed for a specific voltage. Always check that the mains voltage is the same as that stated on the rating plate.
- Only use the charger supplied with the product.
- The supply cord cannot be replaced. If the cord is damaged the adaptor should be discarded and replaced.
- The appliance must be disconnected from the mains supply when removing battery.
- Do not attempt to use the charger with any other product nor attempt to charge this product with another charger.
- A charger that is suitable for one type of battery pack may create a risk of fire when used with another battery pack.
- Do not abuse the charger cord as this can increase the risk of fire or electric shock. Never carry the charger by the cord. Do not pull the cord to disconnect from a socket; grasp the plug and pull to disconnect.
- Before use, check the charger cord for signs of damage or ageing.
- To avoid damage it is not recommended to wrap the cord around the charger for storage. A damaged or entangled charger cord can increase the risk of fire and electric shock.
- Keep the charger cord away from hot surfaces and sharp edges.
- Do not handle the charger or the unit with wet hands.
- If the supply cord is damaged, it must be replaced by the manufacturer, its service agent or similarly qualified persons in order to avoid a hazard. A hazard may occur if the appliance runs over the supply cord.
- Do not store or charge the unit outdoors.

- The plug must be removed from the socket before cleaning or maintaining the appliance.

Battery safety:

- This product includes Li-Ion batteries; **do not incinerate batteries or expose to high temperatures**, as they may explode.
- Liquid ejected from the battery may cause irritation or burns. In an emergency situation contact professional help immediately!
- Leaks from the battery cells can occur under extreme conditions. If the liquid gets on the skin wash immediately with soap and water. If the liquid gets into the eyes, flush them immediately with clean water for a minimum of 10 minutes and seek medical attention.
- When the battery pack is not in use, keep away from other metal objects such as: paper clips, coins, keys, nails, screws or other small metal objects that can make a connection from one terminal to another.
- Shorting the battery terminals may cause burns or fire.
- The battery must be removed from the appliance before it is discarded.
- The battery is to be disposed of safely.

Service:

- Before using the machine and after any impact, check for signs of wear or damage and repair as necessary.
- Do not use the appliance if any part is damaged or defective.
- Repairs should be carried out by a service agent or a suitably qualified person in accordance with relevant safety regulations. Repairs by unqualified persons could be dangerous.
- Never modify the appliance in any way as this may increase the risk of personal injury.
- Only use replacement parts or accessories provided or recommended by the manufacturer.

Intended use:

- This product has been designed for dry vacuum cleaning use only.
- Do not use to pick up liquids or on wet surfaces.
- Do not pick up anything that is flammable, burning or smoking.
- Use only as described in this manual.
- Don't use on concrete, tarmacadam or other rough surfaces.

WARNING:

- Do not use water, solvents, or polishes to clean the outside of the unit. Wipe clean with a dry cloth.**
- Never immerse the unit in water and do not clean in a dish washer.**
- Never use the unit without the debris bin and filter fitted.**

Operation

- Press on the front of the head with your foot and pull the handle back.
- Press the power button.
- The AirRAM™ is designed to clean you home's carpets and hard floors. Be careful cleaning the edges of rugs and do not use on frayed carpets or tasselled rugs.
- The AirRAM™ picks up more dirt than normal vacuum cleaners. When you first use it, it may fill up fast. When it stops picking up, the bin is full, empty the bin.
- Avoid picking up anything that will jam the brush bar, like cables, fabrics or string. If the brush bar jams, the product will stop and the LED lights stay solid RED for 10 seconds. Remove the power pack, turn the product over and clear the brush. Refit the power pack and continue.
- When fully charged all 4 LEDs will be green. They reduce as the power pack is used. When the last LED is flashing red it will soon need charging. It is fine to continue to use the product until it turns itself off.

Bin emptying

- When the AirRAM™ stops picking up, lift the bin from the product with both hands.
- Remove the filter assembly and empty dirt briquettes into the bin.
- Tap the filter assembly gently on the side of the bin to release dust from inside it.

Power Pack Charging & Recharging

- Plug the charger into an electrical outlet and connect to the charging socket on the rear of the product.
- It takes around 4 hours to fully recharge; it is OK to charge for 1 hour if the product is needed sooner.
- The LEDs show how full the power pack is while charging. Charging stops automatically when the power pack is fully charged.
- Unplug once charged. Always unplug charger before using the product or the charger cable may be damaged.
- The power pack can be charged in the product or on its own.

Power Pack Removal & Replacement

- Switch off the product and ensure the charger is disconnected.
- Press the latch to release the power pack.

Care & Maintenance

Warning: do not use water, solvents, or polishes to clean the outside of the unit.

Wipe clean with a dry cloth.

Warning: never immerse the unit in water and do not clean in a dishwasher

Warning: never use the unit without the debris bin and filter fitted.

- Each week clean the product with a dry cloth, including under the bin.
- Remove hair and fibre from the brush bar, cutting along the brush with scissors can help, but be careful not to cut the bristles.
- Don't pick up liquids or use on wet floors.
- Don't use on concrete, tarmacadam or other rough surfaces.
- Don't pick up pieces of string or fabrics.
- Don't use on rug tassels or frayed carpets.

Cleaning the filter

For high cleaning power and reliable service the filter should be cleaned each month. With the product turned off:

- Remove the bin from the product
- Take the filter assembly off the bin.
- Use a coin and turn arrow to 'unlocked' position.
- Using the corner tabs gently prise the filter cover from the lid to access the filters.
- Wash the filters under a tap until water-flow is clean.
- Squeeze excess water from the filter and then dry somewhere warm and ventilated.

Warning:

- Ensure the filter is completely dry then fully reassemble the product.**
- Never use the unit without the debris bin and filter fitted.**
- The filter will be damaged by excessive heat.**

AirRAM™ Technical Specification

F.U.E.L System	22.2V 2000mAh Li-Ion
Charging period	4 hours
Battery charger output	27V DC 500mA
Weight	3.5kg

WARNING: Only use a replacement power pack as supplied by the manufacturer and only use the charger provided with the product. Using another charger may damage the product and power pack, and will invalidate your guarantee.

WARNING: Only use the charger supplied by BISSELL. Other chargers may damage the AirRAM™ or other devices.

WARNING: Care must be taken to avoid accidental entanglement of the charger cable and vacuum head.

The symbol indicates that this product is covered by legislation for waste electrical and electronic products (EN2002/96/EC)

Call your local council, via amenity site, or recycling centre for information on the disposal and recycling of electrical products.

When the vacuum has reached the end of its life, it and the Li-Ion battery it contains should not be disposed of with general household waste. The battery should be removed from the vacuum and both should be disposed of properly at a recognised recycling facility.



WARNING: Only use the charger supplied with the product .

Using another charger may damage the product and battery, and will invalidate your guarantee.

TROUBLESHOOTING

Problem	Possible reason	Possible solution
Poor cleaning and dust pick up.	<ol style="list-style-type: none"> Dust bin full. Dust bin not correctly fitted to unit. Filter not correctly fitted to unit Filter dirty. 	Remove and empty dust bin. Check dust bin is correctly fitted. Check filter is correctly fitted. Clean filter.
Unit will not operate.	1. Power pack flat	Charge power pack
	2. Brush Bar jam	Remove power pack Remove debris
Unit stops during use.	1. Power pack flat	Charge the power pack.
	2. Brush bar jam	Remove power pack Remove debris
Unit will not charge.	1. Check the charger is correctly connected to the battery and socket.	If socket is faulty consult a qualified electrician.
	2. Check that there is power going to the wall socket.	If the product still does not charge, please call BISSELL Consumer Care

FOR HOUSEHOLD USE ONLY